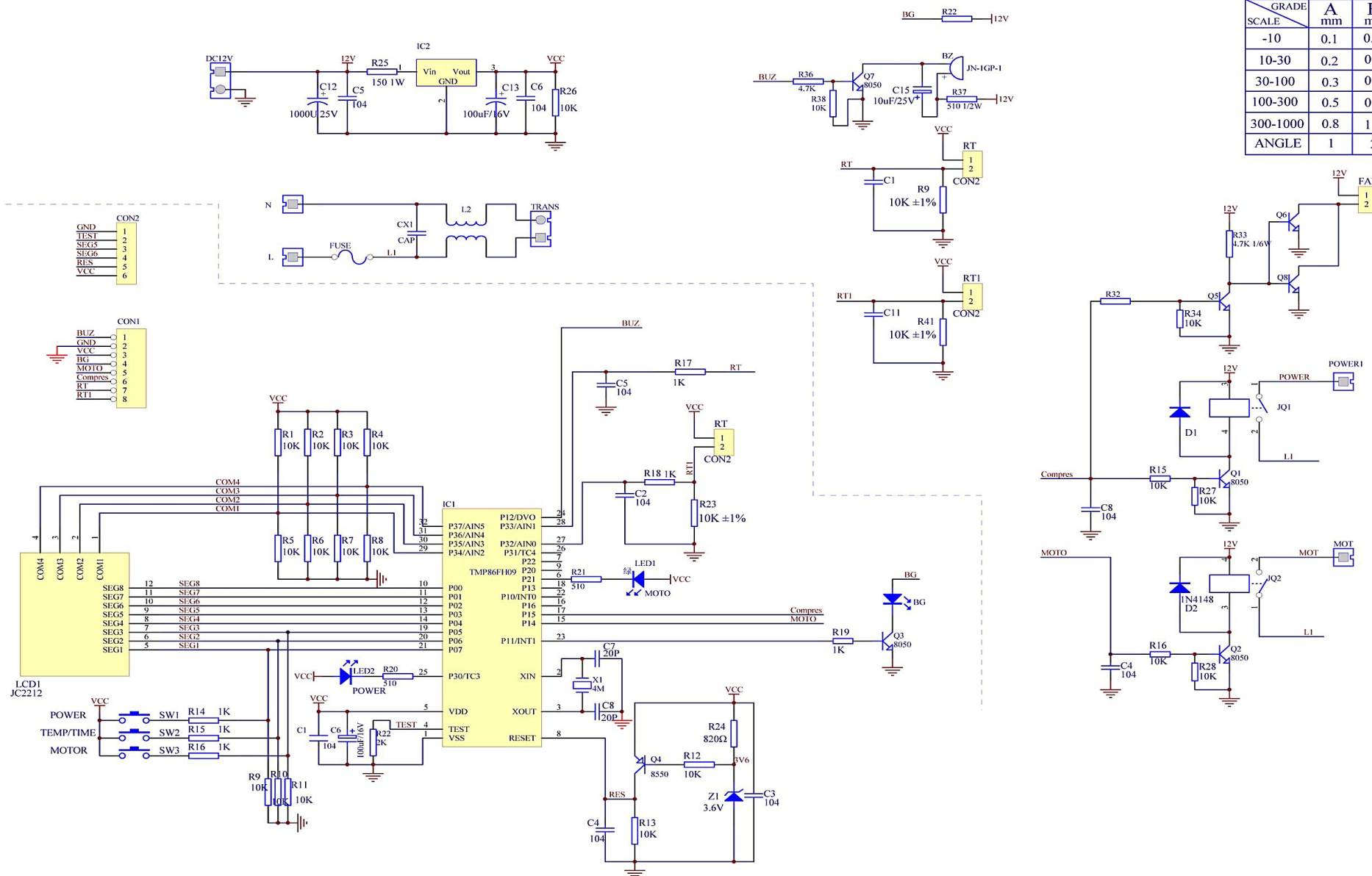


TOLERANCE			
GRADE	A	B	C
SCALE	mm	mm	mm
-10	0.1	0.2	0.3
10-30	0.2	0.3	0.5
30-100	0.3	0.5	0.7
100-300	0.5	0.8	1.2
300-1000	0.8	1.0	2.5
ANGLE	1	2	5



Eismaschine
 Artikel-Nr.: 135.002

Schaltplan
 15.07.2011